

THE G-S COMPANY

web WWW.G-SCO.COM • email SALES@G-SCO.COM • phone 410-284-9549 • fax 410-282-6499

GS3550 Floor Mount Pedestal Detention Bench

STAINLESS STEEL TOP

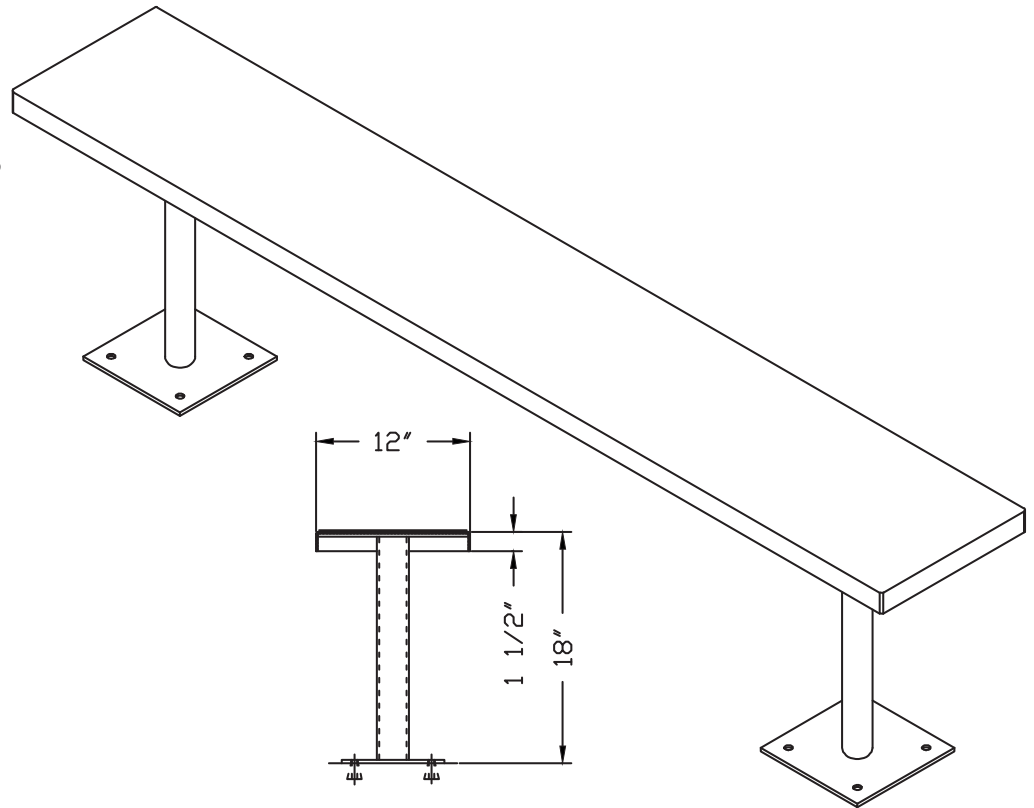
Standard Lengths

- #GS3550SS-24 (24" long)
- #GS3550SS-36 (36" long)
- #GS3550SS-48 (48" long)
- #GS3550SS-60 (60" long)
- #GS3550SS-72 (72" long)

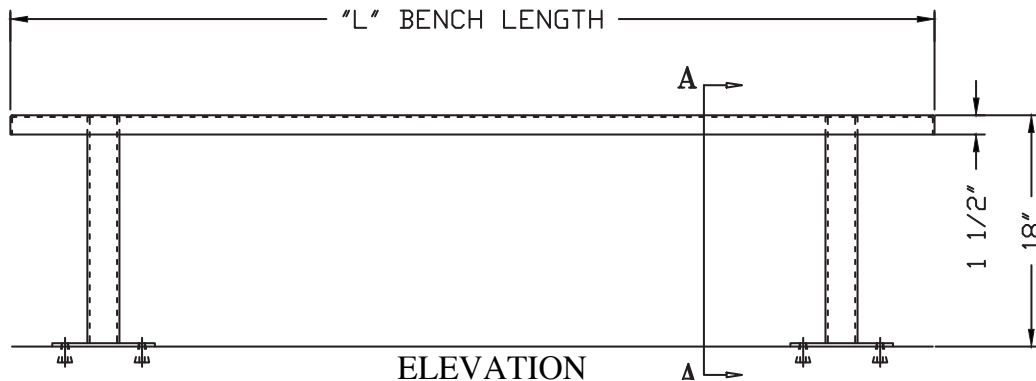
CARBON STEEL TOP

Standard Lengths

- #GS3550CS-24 (24" long)
- #GS3550CS-36 (36" long)
- #GS3550CS-48 (48" long)
- #GS3550CS-60 (60" long)
- #GS3550CS-72 (72" long)



SECTION A-A



SPECIFICATIONS

- Seat top: 10Ga Stainless or Carbon steel bench top with 1 1/2" flanges at all 4 sides
- Support: $\text{Ø}2\ 1/2''$ nom. ($2\ 7/8''$ O.D.) schedule 40 pipe welded to seat and base plate
- Base plate: $8'' \times 8'' \times 1/4''$ steel plate with 4 holes for $\text{Ø}3/8''$ Torx Secure - Bolt Sleeve Anchors
- Standard Finish: #4 finish for stainless steel top, one coat of rust inhibitive red primer for all ferrous (non stainless) surfaces
- Cuff Rings or Cuff Bars Available. Contact The G-S Company for Details.

Custom sizes, special order finishes, and special order materials available upon request.