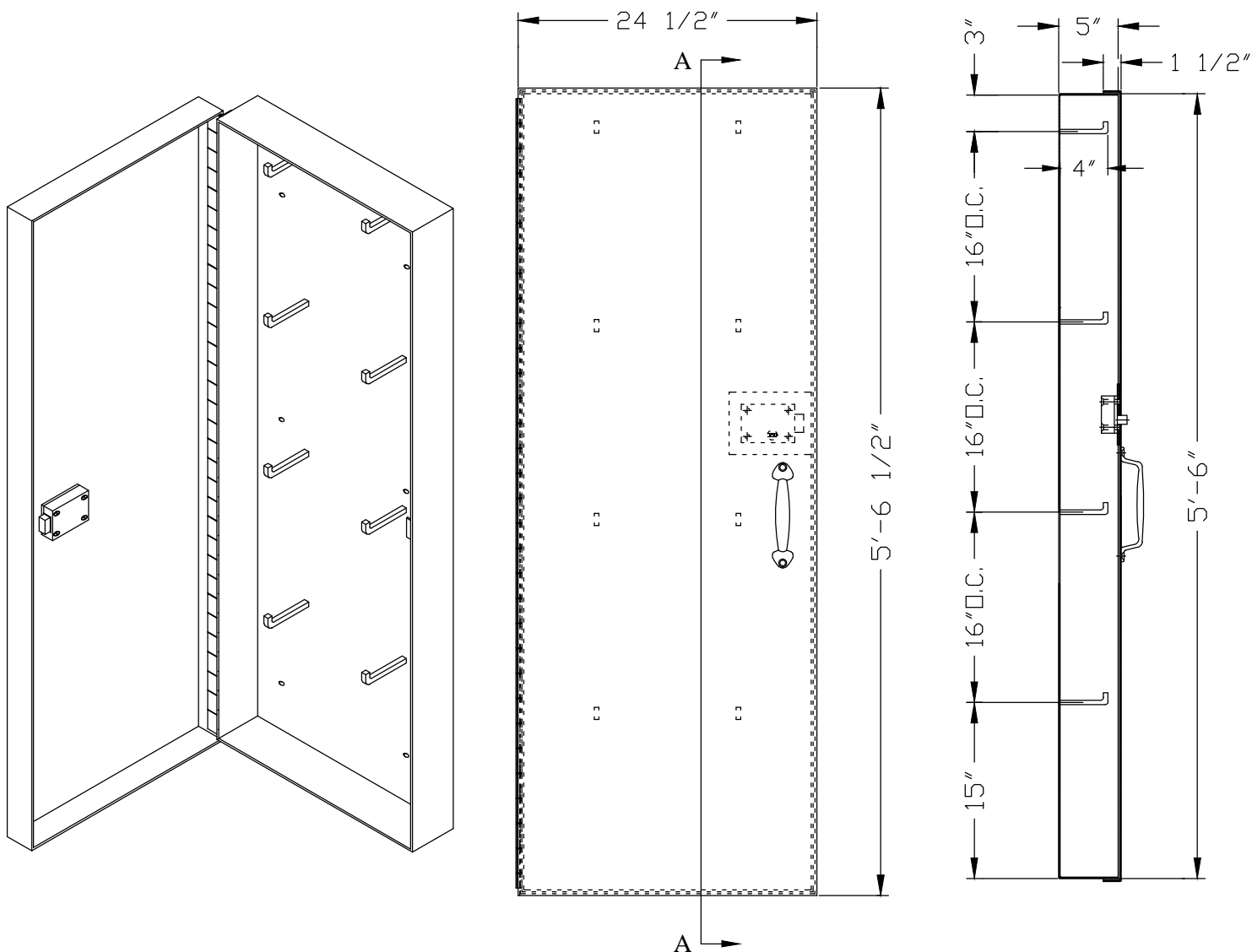


GS5056 HANDCUFF / SHACKLE CABINET WITH HINGED DOOR



ELEVATION
HANDCUFF/SHACKLE CABINET
WITH HINGED & LOCKABLE DOOR

A-A
VERTICAL SECTION
THROUGH
HANDCUFF CABINET

SPECIFICATIONS

HANDCUFF CABINET WITH HINGED DOOR

- Cabinet: 10Ga steel bent plate pan with 6 holes for Ø3/8" anchor bolts
 - Door: 10Ga steel bent plate pan with flanges at all 4 sides prepped for lock and door pull
 - Hooks: 1/2"x1/2" square bar 4" long with 1" bent end.
 - Continuous hinge: Heavy duty continuous hinge, full door height.
 - Door pull: Raised type door pull.
 - Lock: Detention deadbolt lock.
 - Capacity: Can hold up to 48 handcuffs.
 - Finish: one coat of our standard, shop applied rust inhibitive red primer.
- Other finishes and materials available as a special order upon request.