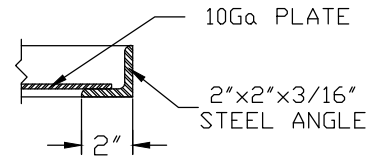
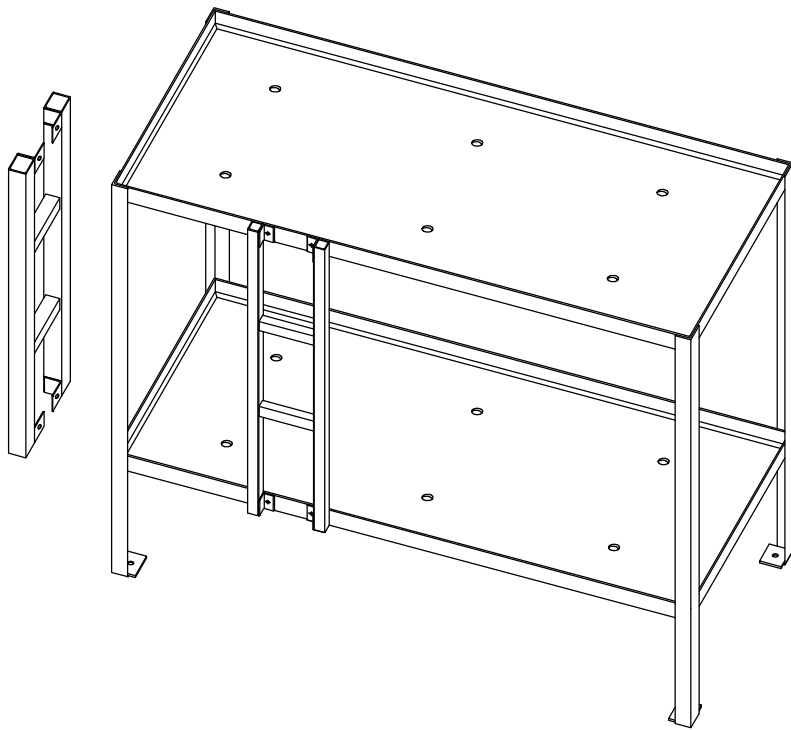
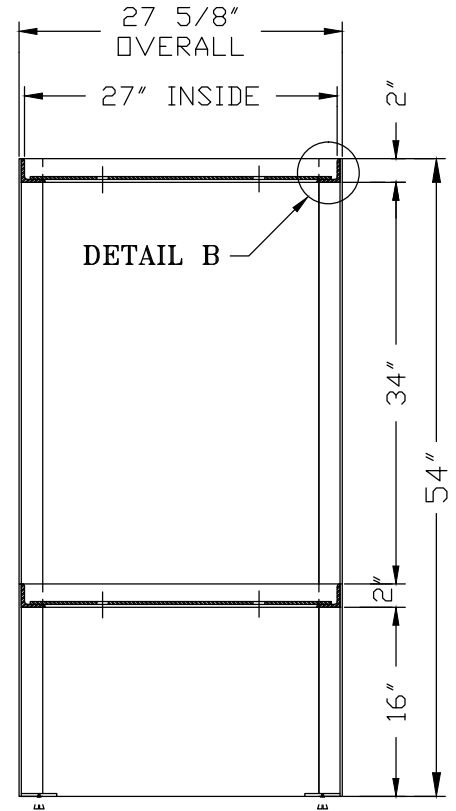


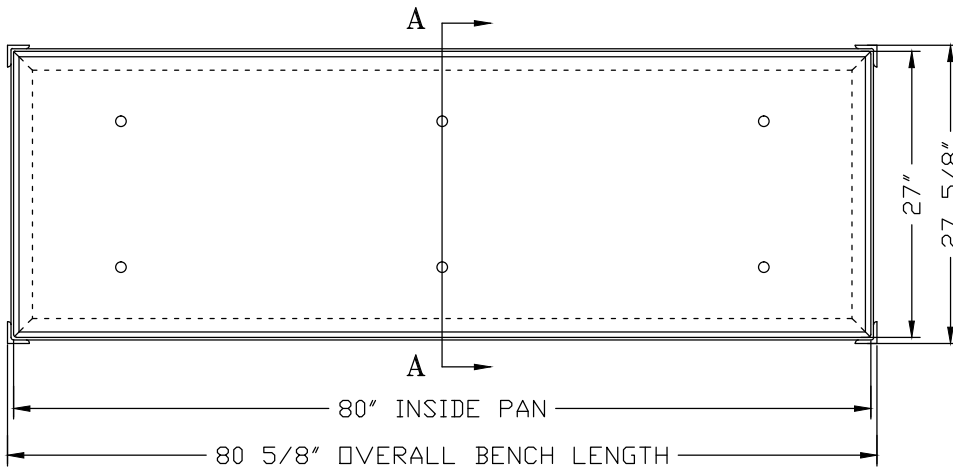
GS9023 FLOOR MOUNT DOUBLE DETENTION BUNK



DETAIL B



**SECTION A-A
THROUGH FLOOR MOUNT
DOUBLE BUNK**



PLAN VIEW

FLOOR MOUNT DOUBLE DETENTION BUNK

SPECIFICATIONS

FLOOR MOUNT DOUBLE DETENTION BUNK

- Bunk pans: 2"x2"x3/16" steel angle frame with 10Ga steel plate at bottom welded to angle frame. Bottom plate to have 6 holes Ø1"
- Legs: 2"x2"x3/16" vertical steel angle legs welded to steel angle frame at 4 corners.
- Base plate: 3"x3"x1/4" steel base plate with holes for Ø3/8" anchor bolts, welded to angle legs.
- Ladder: 1 1/2"x1 1/2" vertical tubes with 1 1/4"x1 1/4" steel tube rungs and 1 1/2"x1 1/2"x2" long angle clips, with holes for Ø3/8" bolts, welded to vertical tubes.
- Finish: one coat of our standard, rust inhibitive, red primer.
- Towel bar and Property Bin available.

Bunks also available 76 5/8" long and 30 5/8" wide in any width to length combination

Other finishes and materials available upon request as a special order.

Ladder is bolted to the bunk and can be attached at any side and location as required per field conditions.